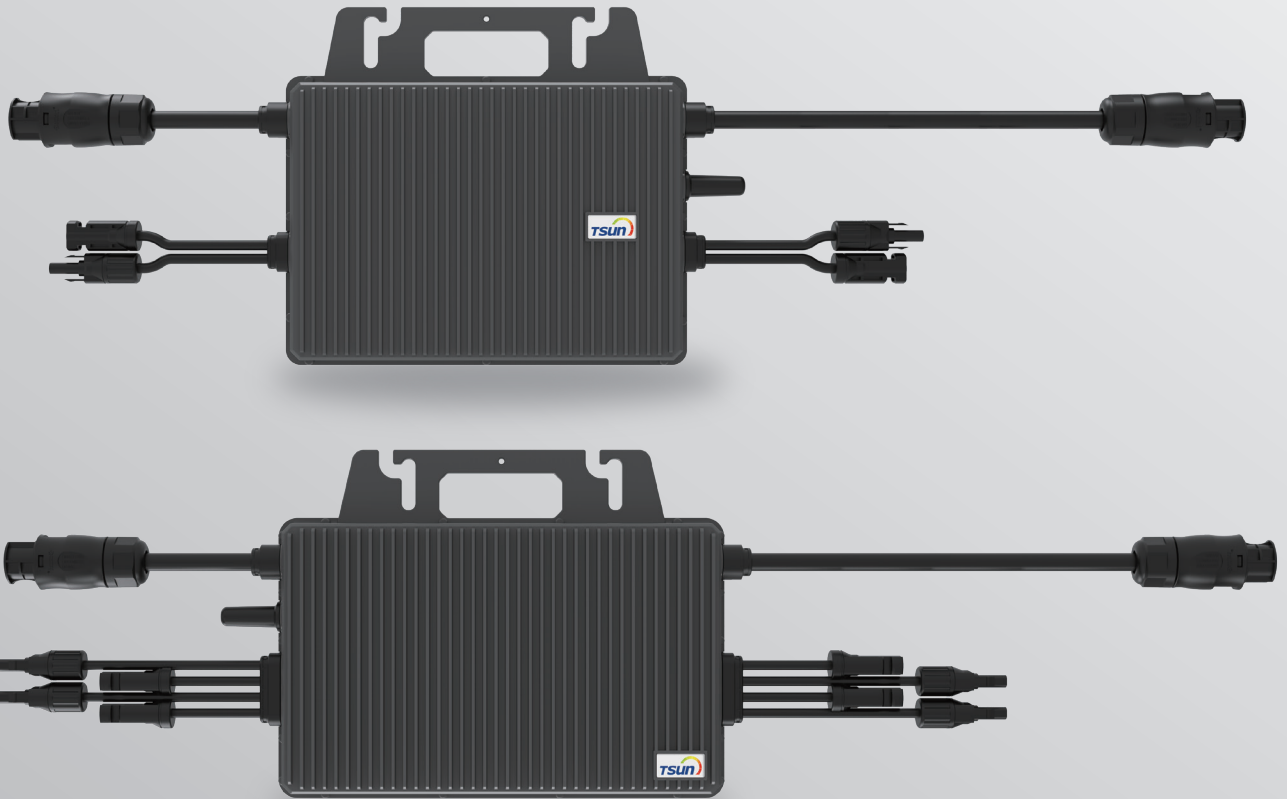


TSUN Micro Inverter



TSOL-M800(DE)/M1600



Maximized Efficiency

- Individual optimization, se-parate dedicated MPPT for each panel.
- New topology design, max. efficiency up to 96.7%.

Flexibility

- Plug & play installation. Easy to install.
- Multi-channel MPPT for complex installation environments with higher cost performance.

Safety

- Max. DC voltage 60V. No threat for high DC voltage.
- Integrated LoM protection function. Ensure the safety of power grid.

Reliability

- Die casting design and glue filling technology. Better thermal dissipation.
- Standard 12 years warranty, Quality guaranteed.

CE VDE 0126 VDE 4105 EN 50549 AS4777 CEI 0-21 INMETRO RD 1699 G 98



TSUNESS Co., Ltd

E-mail: sales@tsun-ess.com
Web: www.tsun-ess.com

Tel: +86-512-6618 6028

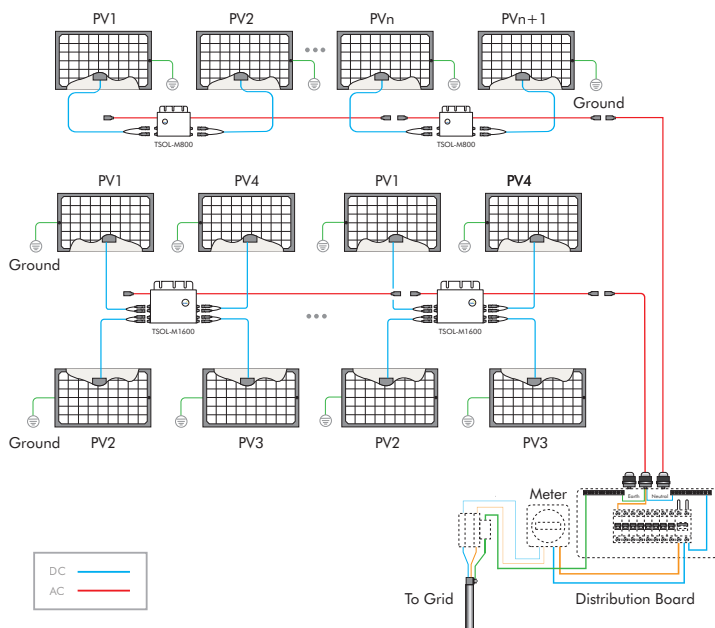
Add: Chuangye Road, Dayun Town, Jiashan County, Zhejiang Province, China

Technical Data

| Model | TSOL-M800(DE) | TSOL-M1600 |
|--|---------------|-----------------------------|
| Input(DC) | | |
| Recommended Input Power [W] | 2*280-440 | 4*300-470 |
| Start up Voltage [V] | 22 | 22 |
| MPPT Voltage Range [V] | | 16-60 |
| Max. Input Voltage [V] | | 60 |
| Max. Input Current [A] | | 11.5 |
| Max. Input Short Circuit Current[A] | | 15 |
| Output [AC] | | |
| Max. Continuous Output Power [W] | 600 | 1500 |
| Nominal Output Current [A] | 2.61 | 6.52 |
| Max. Output Current [A] | 3 | 6.82 |
| Nominal Output Voltage / Range [V] * | | 230, L/N/PE , 207-253V |
| Nominal Frequency / Range [Hz] * | | 50, 45-55Hz |
| Power Factor | | 0.8 leading ... 0.8 lagging |
| Output Current Harmonic Distortion | | < 3% |
| Max. Units Per Branch | 7 | 3 |
| Efficiency | | |
| Peak Conversion Efficiency | | 96.7% |
| CEC Weighted Efficiency | | 96.5% |
| Nominal MPPT Efficiency | | 99.9% |
| EU Efficiency | | 96.3% |
| Night Time Power Consumption [mW] | | < 50 |
| Mechanical Data | | |
| Dimensions (WxHxD) [mm] | 250×170×28 | 280×176×33 |
| Weight [kg] | 3 | 3.75 |
| Type of Enclosure | | IP67 |
| Cooling | | Natural Convection |
| Environmental Data | | |
| Operating Ambient Temperature Range [°C] | | -40°C to 65°C |
| Operating Internal Temperature Range [°C] | | -40°C to 85°C |
| Relative Humidity | | 0-100 % condensing |
| Max. Operating Altitude Without Derating [M] | | 2000 |
| Monitor | | 2.4G RF |

※ The AC voltage and frequency range may vary depending on specific country grid.

Diagram



Ordering Information

| Ordering NO. | Model | Description |
|--------------|---------------|-----------------------------|
| 04.02.01.003 | TSOL-M800 | Microinverter, output 600W |
| 04.02.01.005 | TSOL-M1600 | Microinverter, output 1500W |
| 04.02.02.001 | TSOL-MT-F | AC connector, female |
| 04.02.02.002 | TSOL-MP-F | Protect cap, female |
| 04.02.02.003 | TSOL-MT-T | AC connector, male |
| 04.02.02.004 | TSOL-MP-T | Protect cap, male |
| 04.02.02.005 | TSOL-MC200-G2 | Interconnection cable, 2m |

For more information, visit/contact us at www.tsun-ess.com

©2022 TSUNESS. All rights reserved. All specifications are subject to change without prior notice.