

# Smart Inverter WVC-600 (Wireless) Description



## WVC-600 (Wireless)

---

### *WVC -600 (Wireless)* (433MHz Wireless)

#### Smart Inverter



**WVC-600 (Wireless)** Using IP65 waterproof streamline design, Can effectively prevent rainwater on the surface erosion, Built-in high-performance Maximum Power Point Tracking (MPPT) Function, Better able to track changes in the solar luminosity and control different output power, Effectively capture and collect sunlight. AC electric power transmission using the reverse transmission technology, Is one of our patented technology, The inverter output power can provide load priority use, Extra electricity to the grid, Efficient use of the inverter to the power emitted, Electricity transmission rate of up to 99%.

Communication using two modes, Between the inverter and Collector Using power line carrier communication signals, Collector with a PC or other devices to communicate Using RS232 serial port/ WIFI wireless communication. Intelligent monitoring systems, The inverter can collect real-time data, Inverter can be controlled startup / shutdown / power regulation.

---

### Features:

- High performance maximum power point tracking (MPPT)
- Reverse power transmission
- Intelligent monitoring management
- Input /output is fully isolated to protect the electrical safety
- Multiple parallel stacking
- Digital control system
- Simplify maintenance (user serviceable)
- Operation and maintenance costs low
- Flexible installation

## WVC-600 (Wireless)

- Use the wireless 433MHz communication mode

### WVC-600 (Wireless) Parameters

<b>Input Data</b>		<b>KD-WVC-600 (Wireless)-120VAC/230VAC</b>	
Maximum input power		600Watt	
Recommended using solar panels		Power2×300W, open circuit voltage 36-50VOC	
Solar panel open circuit voltage range		36-50VOC	
Peak power tracking voltage		22-50V	
Min / Max start voltage		22-50V	
Maximum DC short current		35A	
Maximum Input Current		24A	
<b>Output Data</b>		<b>@120VAC</b>	<b>@230VAC</b>
Peak power output		630Watt	630Watt
Rated output power		6000Watt	600Watt
Rated output current		5A	2.6A
Rated voltage range		80-160VAC	180-260VAC
Rated frequency range		48-51Hz/58-61Hz	48-51Hz/58-61Hz
Power factor		>99%	>99%
Maximum units per branch circuit		5PCS (Single-phase)	10PCS (Single-phase)
<b>Output Efficiency</b>		<b>@120VAC</b>	<b>@230VAC</b>
Static MPPT efficiency		99.5%	99.5%
Maximum output efficiency		95%	95%
Night time power consumption		<1W	<1W
THD		<5%	<5%
<b>Exterior</b>			
Operating temperature range		-40°C to +60°C	
Dimensions (WxHxD)		283mm×200mm×41.6mm	
N.W.		1.63kg	
Waterproof level		IP65	
Cooling		Self-cooling	
Communication Mode		Wireless 433MHz	
Power transmission mode		Reverse transfer, load priority	
Monitoring System		Lifetime free	
Electromagnetic compatibility		EN50081. part1 EN50082. part1	
Grid disturbance		EN61000-3-2 Safety EN62109	
Grid detection		DIN VDE 1026 UL1741	
Certificate		CEC, CE National patent technology	
<b>Package weight</b>			
Specification		Single (packing)	Whole (5PCS)
G.W.		2.55Kg	14.10Kg
Dimensions		342×240×100mm	440×380×260mm

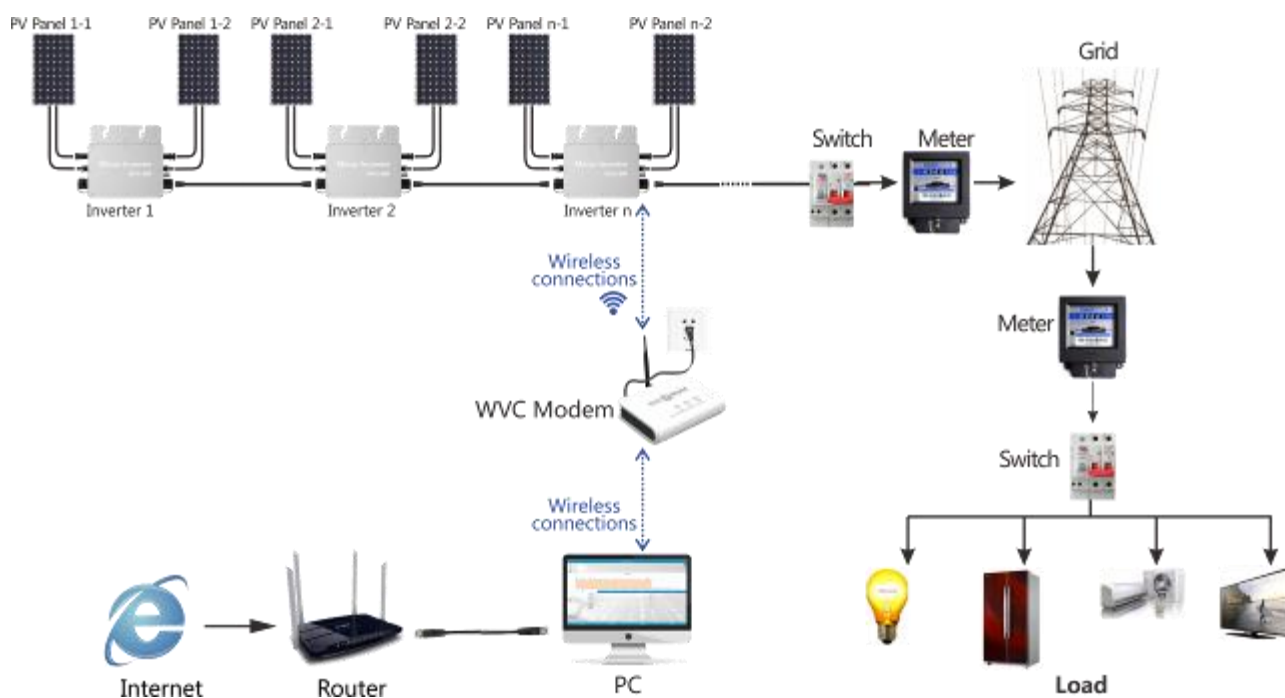
\*

## WVC-600 (Wireless)

Attn:each MODEM can control 46 PCS micro inverters on the condition of non-intelligent electric box

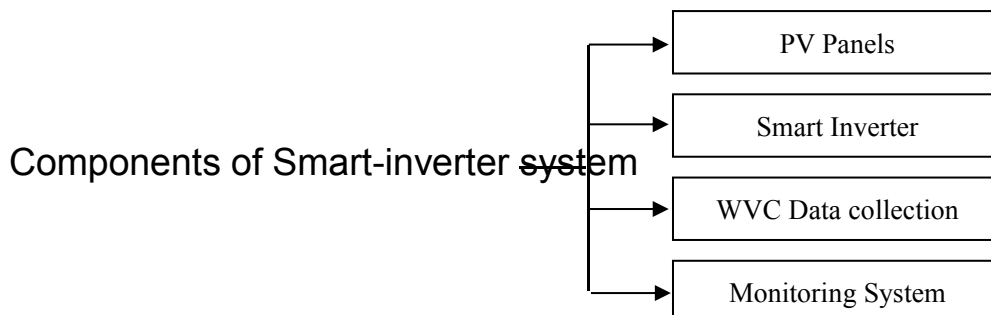
### PV Smart-inverter system components

System Block Diagram



### System Description

Smart-grid inverter system components

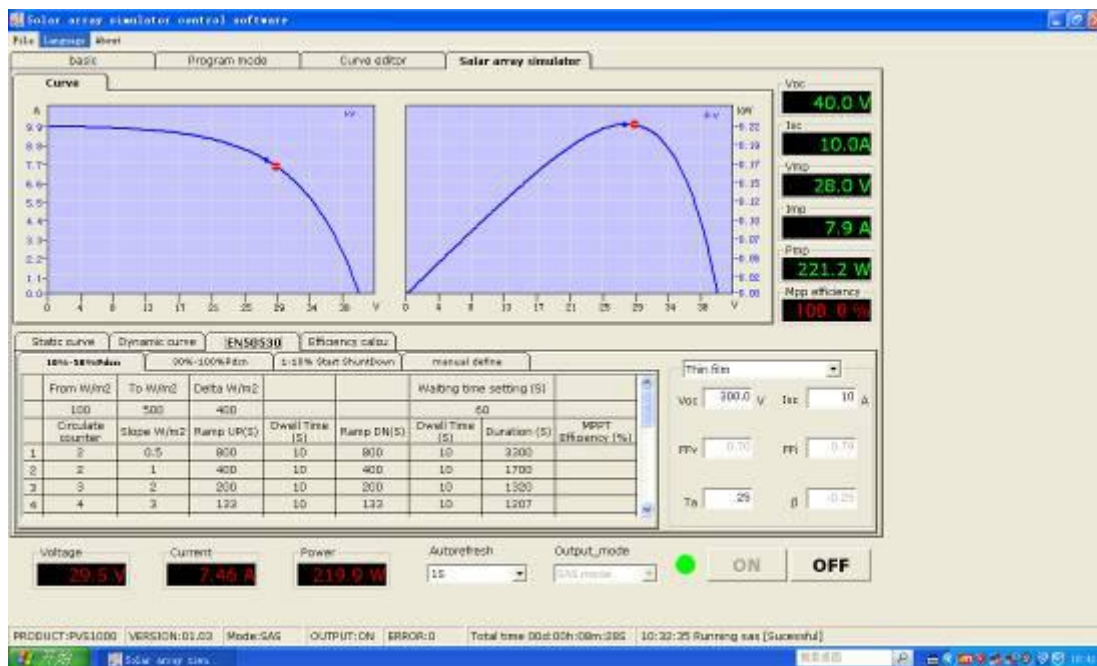


## WVC-600 (Wireless)

In summary, Micro-inverter system is simpler, more convenient installation.

### High performance maximum power point tracking (MPPT)

Powerful MPPT algorithm, Optimize the power from the solar panels to collect, Accurately capture and lock the maximum output power point, A substantial increase in output power greater than 25% or more.

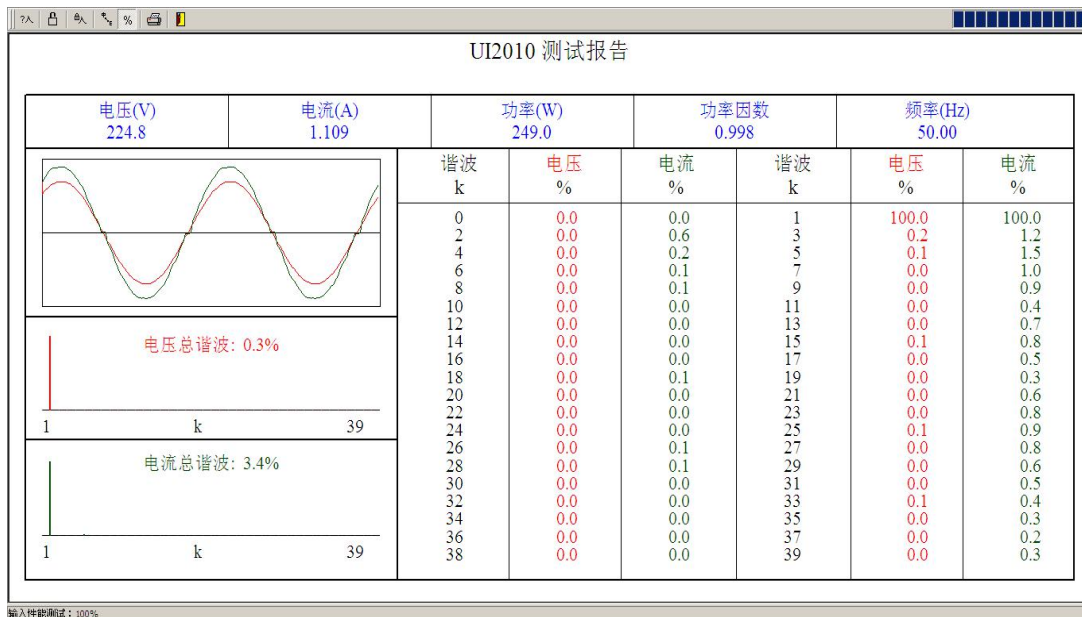


### MPPT

### Power Output: (Reverse power transmission)

Reverse efficient power transmission technology, Patented technology, The inverter power transmission in the reverse direction, Automatic detection circuit load and using priority, Additional power transmitted to the grid, Power transmission rate up to 99.9%.Higher output efficiency in photovoltaic application system manipulation.

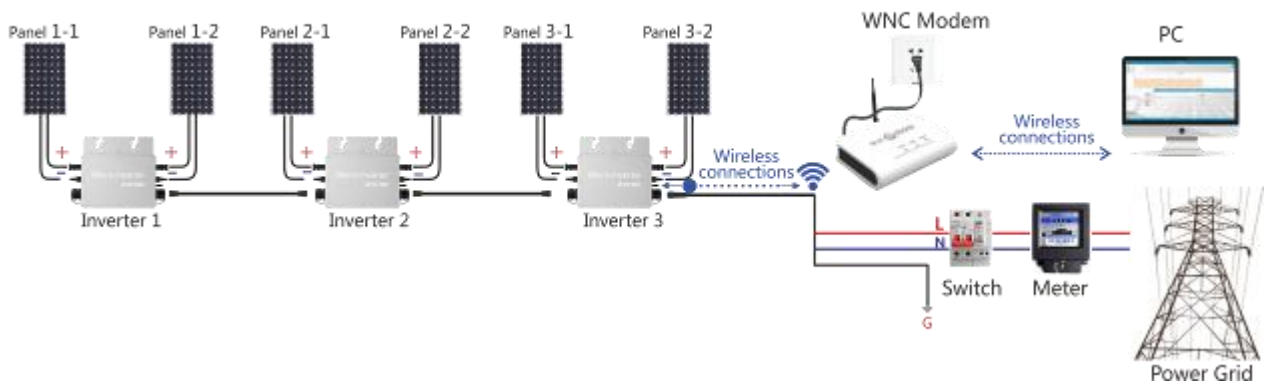
# WVC-600 (Wireless)



THD

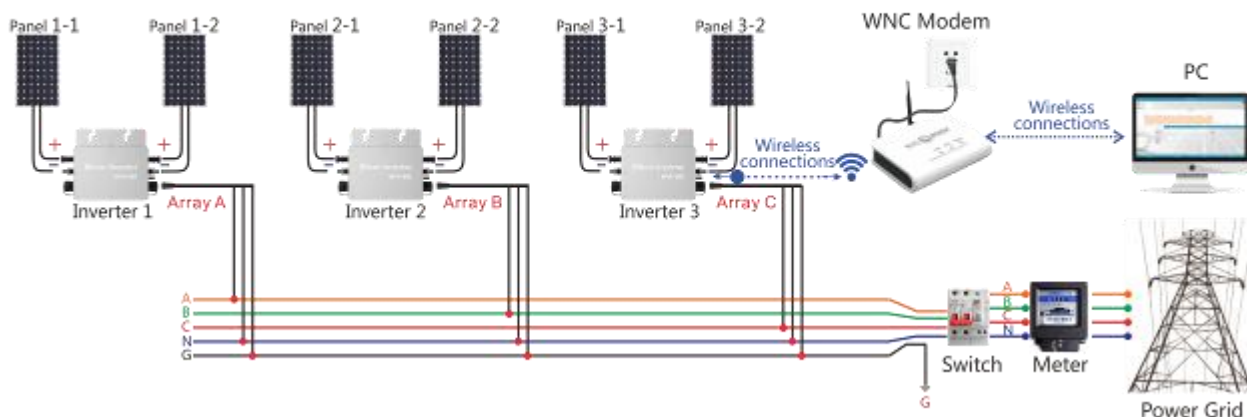
## Electrical schematics

### Single-phase electrical schematics



## WVC-600 (Wireless)

### Three-phase electrical schematics



**WVC-600 (Wireless)** Using IP65 waterproof streamline design, Can effectively prevent rainwater on the surface erosion, Built-in high-performance Maximum Power Point Tracking (MPPT) Function, Better able to track changes in the solar luminosity and control different output power, Effectively capture and collect sunlight. AC electric power transmission using the reverse transmission technology, Is one of our patented technology, The inverter output power can provide load priority use, Extra electricity to the grid, Efficient use of the inverter to the power emitted, Electricity transmission rate of up to 99%.



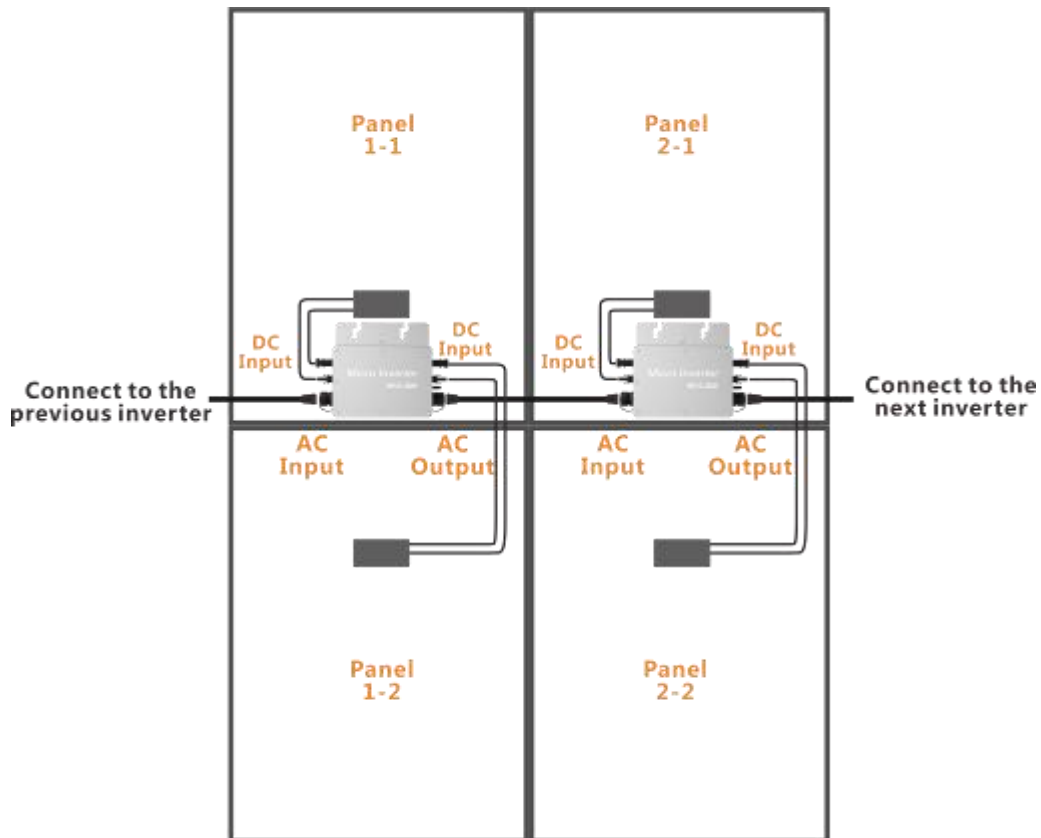
## WVC-600 (Wireless)

---

- ① PV Panel Input 1
- ② PV Panel Input 2
- ③ AC Input – Connect to the Previous
- ④ AC Output – Connect to the Next
- ⑤ 433MHz Wireless Line
- ⑥ LED Display

### Installation and connection

WVC-600 (Wireless) Series Solar Inverter very easy to install, No need for project professionals can also install. Whether installation or maintenance are very simple, No maintenance.





## WVC-600 (Wireless)

### Monitoring System

The Monitoring System KDM is KaiDeng Energy Technology Co., Ltd. have complete independent intellectual property developed intelligent monitoring systems, It is a product designed specifically for WVC

