



60 Cell Mono
300-310W(5BB)

BVM6610M

0~+5W
Power Tolerance

19.05%
Maximum Efficiency

300-310W
Power Output Range



High Quality and Reliable Modules

- ◆ Withstand up to 5400 Pa snow load and 2400 Pa wind load
- ◆ 2 EL inspections per cell/module for defect-free consistency
- ◆ 0~+5 W guaranteed positive tolerance
- ◆ Rugged design for long-term durability; passed extended reliability tests



Warranty

- ◆ 10-year product warranty
- ◆ 25-year linear power output warranty



Comprehensive Certificates for Products and Management

- ◆ ISO 9001 for Quality Management Systems
- ◆ ISO 14001 for Environmental Management Systems
- ◆ OHSAS 18001 Occupational Health and Safety System

1640 x 992 x 35 mm

Black Frame / Black Backsheet



Electrical Characteristics STC

	BVM6610M-300	BVM6610M-305	BVM6610M-310
Maximum Power (Pmax)	300W	305W	310W
Maximum Power Current (Imp)	9.35A	9.45A	9.51A
Maximum Power Voltage (Vmp)	32.1V	32.30V	32.6V
Short Circuit Current (Isc)	9.65A	9.76A	9.82A
Open Circuit Voltage (Voc)	39.70V	39.90V	40.20V
Module Efficiency	18.44%	18.75%	19.05%
Power Tolerance	0~+5W	0~+5W	0~+5W
STC: AM1.5, Irradiance 1000W/m ² , 25°C			

Electrical Characteristics NOCT

	BVM6610M-300	BVM6610M-305	BVM6610M-310
Maximum Power (Pmax)	223W	226W	230W
Maximum Power Current (Imp)	7.36A	7.44A	7.50A
Maximum Power Voltage (Vmp)	30.3V	30.4V	30.7V
Short Circuit Current (Isc)	7.82A	7.91A	7.96A
Open Circuit Voltage (Voc)	36.7V	36.8V	37.1V
NOCT: AM1.5, Irradiance 800W/m ² , 20°C, Wind speed 1m/s			

Mechanical Characteristics

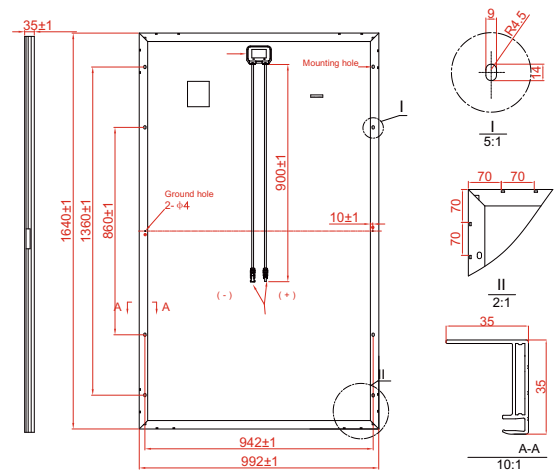
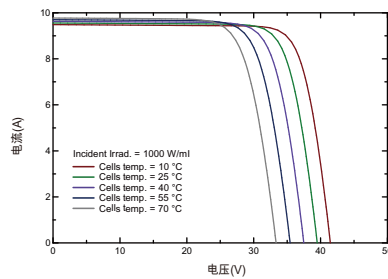
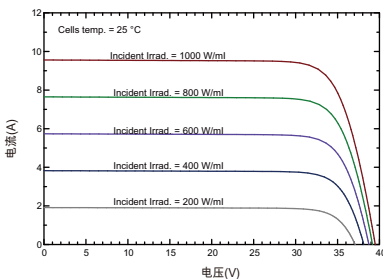
Thermal Characteristics

Solar Cell	Monocrystalline 156.75x156.75mm, 60 (6 x 10) pcs in series	Pmax Temperature Coefficient	-0.38%/°C
Glass	High transparency, low iron, tempered glass 3.2 mm	Voc Temperature Coefficient	-0.28%/°C
Frame	Anodized aluminum alloy	Isc Temperature Coefficient	+0.05%/°C
Junction Box	IP67 rated, with 3 bypass diode	NOCT	45±2°C
Output Cable	4 mm ² (EU)/1000 mm long		
Connector	MC4 compatible		
Dimension	1640x992x35 mm		
Weight	18 KG		

Packing Information

Operating Temperature	-40~85°C	Pieces per pallet	30
Maximum Series Fuse Rating	15/20 A	Pallets per container (40HQ)	28
Maximum System Voltage	1000 / 1500V DC	Pieces per container (40HQ)	840
		Pallet weight/size	590KG/1690*1100*1145mm

Specifications in this datasheet are subject to change without prior notice.



尹利恒